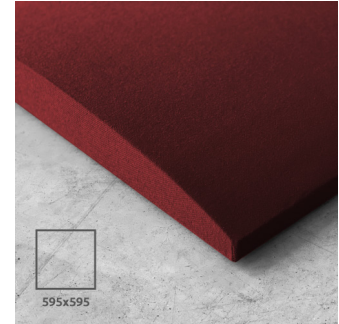
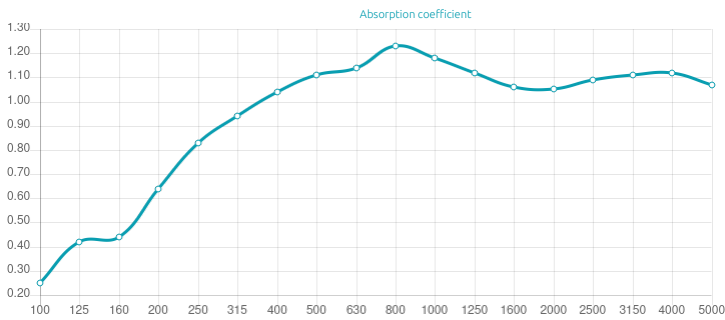
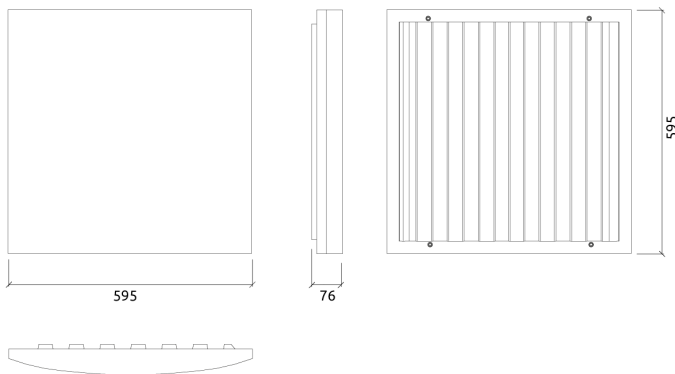




Performance



Technical Information



Features

Type: Absorber
 Absorption Range: 200 Hz to 5000 Hz
 Acoustic Class: A | (aw) = 1

This product is available in the following Fire Rate:
 FG | Furniture Grade

PRODUCT COMPOSITION:

- Andrea | Suede Fabric Finish (FG)
- Acoustic Suede Fabric
- Marine-grade Plywood Structural Frame
- Calibrated Cell Acoustic Foam

- Andrea | Weave Fabric Finish (FG) *
- Acoustic Weave Fabric
- Marine-grade Plywood Structural Frame
- Calibrated Cell Acoustic Foam

* Weave Fabric

100% Polypropylene

Certified to the EU Ecolabel

Certified to Indoor Advantage™ Gold

EN 13501-1 - Class B, s2, d0

Light Fastness - 6 (ISO 105 - B02)

Fastness to Rubbing - Wet: 4, Dry: 4

(ISO 105 - X12)

Cleaning - Vacuum regularly, wipe with a damp cloth using a proprietary upholstery shampoo/soap. For deeper cleaning use bleach or alcohol.

Six M6 Screw Thread receiver included on each panel.

*Size guaranteed with concealed structural frame.

Dimensions:

FG - SF | 595x595x76mm | 1.28 Kg
 FG - WF | 595x595x76mm | 1.34 Kg

Andrea is one of the most efficient absorbers on the market.

Designed using a patented Artnovion technique, it excels at controlling first reflections and is suited to treat a broadband range of frequencies.

Andrea is a class A product with unparalleled absorption properties ($\alpha_w = 1$), manufactured with premium materials and carefully wrapped with acoustic fabric.

Product finishes

(FG - SF) Suede Fabric Finishes - NEW



FG | (T0272) Snow White



FG | (T0273) Light Ivory



FG | (T0274) Vanilla Beige



FG | (T0275) Earth Brown



FG | (T0276) Grey Beige



FG | (T0277) Mink Grey



FG | (T0278) Ash Grey



FG | (T0279) Anthracite
Grey



FG | (T0280) Bottle Green



FG | (T0281) Wine Red



FG | (T0282) Violet Blue



FG | (T0283) Ink Black

(FG - WF) Weave Fabric Finishes - NEW



FG | (TC256) Tummel



FG | (TC240) Black



FG | (TC241) Lerwick



FG | (TC242) Merrick



FG | (TC243) Lead



FG | (TC244) Chaucer



FG | (TC245) Glass



FG | (TC246) Easdale



FG | (TC247) Walten



FG | (TC248) Vit



FG | (TC249) Austen



FG | (TC250) Beltane



FG | (TC251) Shetland



FG | (TC252) Maree



FG | (TC253) Fair Isle



FG | (TC254) Carron



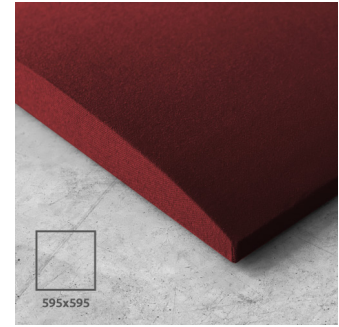
FG | (TC255) Lossie



FG | (TC257) Pitlochry

Andrea - Absorber

Fabric Absorber



Purpose

- First reflection Control
- RT reduction
- Extended mid-low frequency absorption
- Flutter echo control
- Reducing excessive reverberation
- Improving speech intelligibility

Recommended for

- Hi-Fi Listening Room
- Media Room
- Home Cinema
- Living Room

Fixing Systems

Wall & Ceiling



+ FixArt Clip



+ FixArt Tube



+ GlueArt 2.0



+ Instant Fix Kit

Add-ons



+ FixArt Connect



+ FixArt Tube Lock



+ M6 Screw Thread receiver - Add-on



+ Fabric side cover kit

Mobile



+ Kit Mobile Wall